

M-System

Quick change tools



Tool system for multi-spindle turning machines

M-System

M-System program	01B-3
Types and dimensions - cut-off turning	01B-4
Assembly example - profile grooving A28 and B42	01B-5
Examples of applications - profile grooving	01B-6
Basic supports, standard, MGPC	01B-7
Basic supports, short, MGPC ...K.....	01B-7
Basic supports, matched	01B-8
Basic supports and intermediate supports, Mori Say.....	01B-9
Basic tool holder C, MGHC... standard.....	01B-10
Basic tool holder C, MGHC... short.....	01B-11
Basic tool holder C, MGHC	01B-12
Tool holder MWHS ... BK, blades	01B-13
Tool holder MWHS ...QS, Quattro.....	01B-14
Tool holder MWHD.. turning.....	01B-15
Tool holder MWHS ... 26T, cut-off holder	01B-16
Tool holder MWHF B42, profile grooving.....	01B-17
Tool holder MWHF A28, profile grooving	01B-18
Clamping example	01B-19
Slot nut for T-slots.....	01B-20
Height adjustment.....	01B-20
Interfaces to multi-spindle turning machines.....	01B-21
M-System tools for all positions.....	01B-22

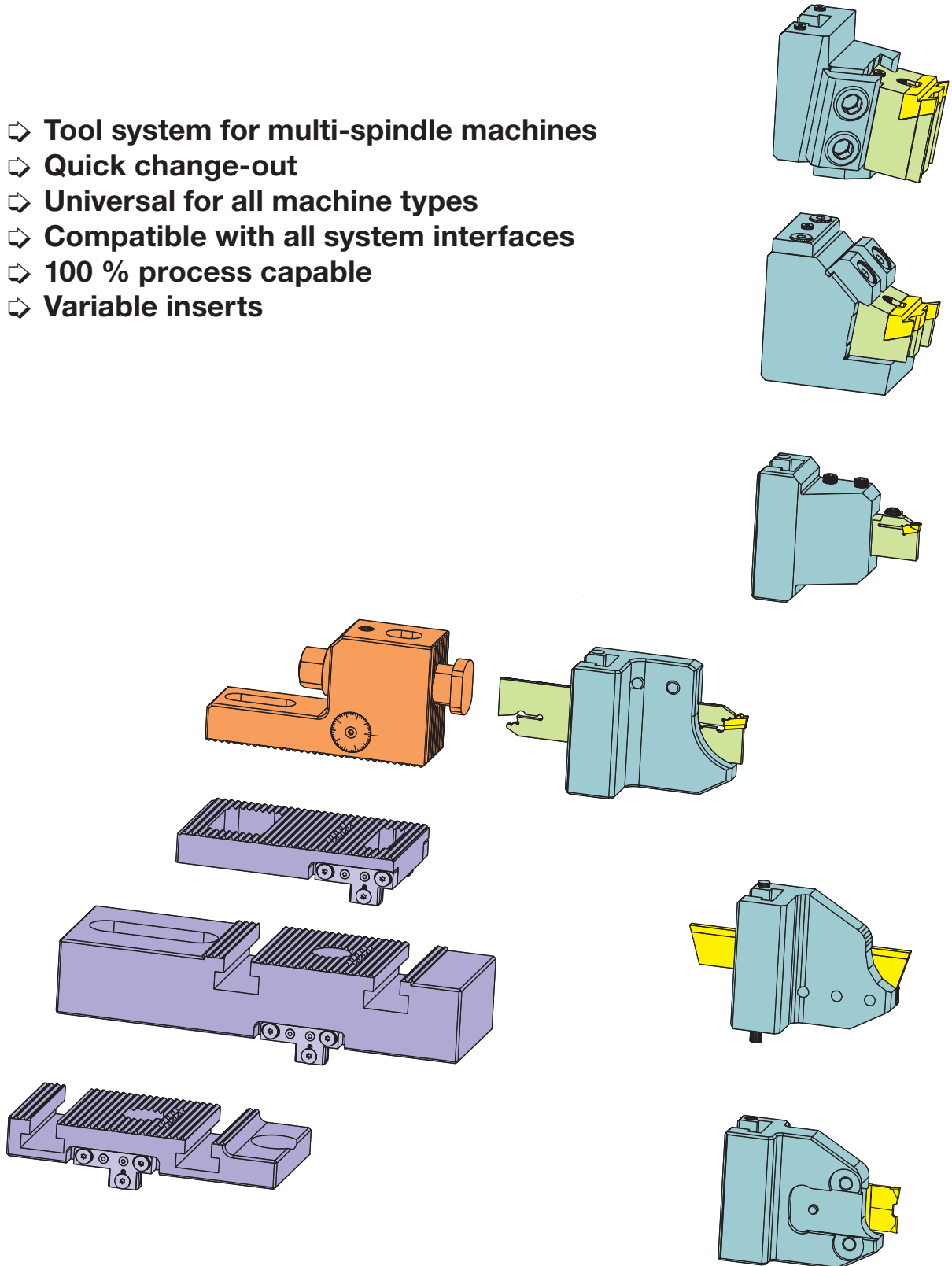
Other versions and dimensions upon request.

We reserve the right to make technical modifications.

All prices are net in EURO + VAT (value added tax).

M-System program

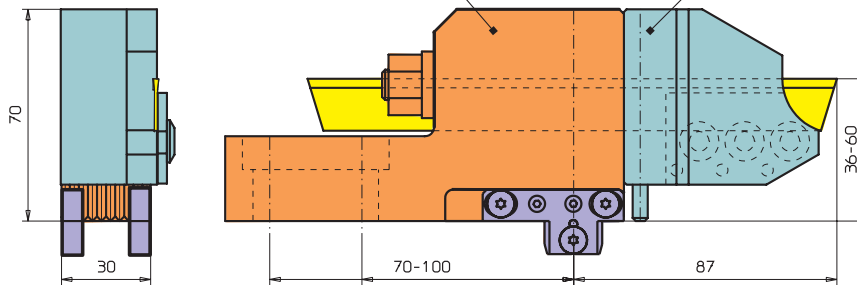
- ⇒ Tool system for multi-spindle machines
- ⇒ Quick change-out
- ⇒ Universal for all machine types
- ⇒ Compatible with all system interfaces
- ⇒ 100 % process capable
- ⇒ Variable inserts



Types and dimensions - cut-off turning

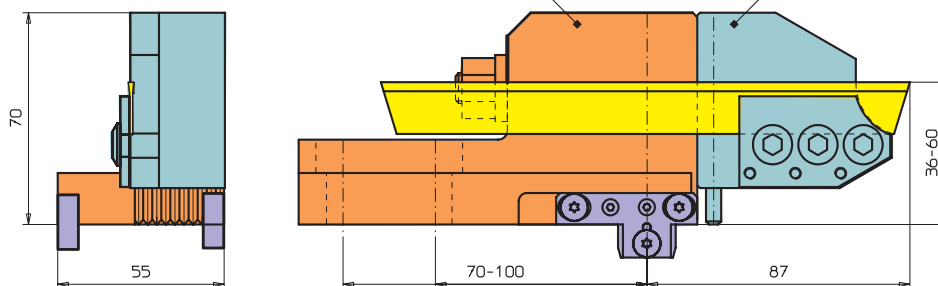
**Basic tool holder
MGHA 30**

**Tool holder
MWHS 17 BKR**



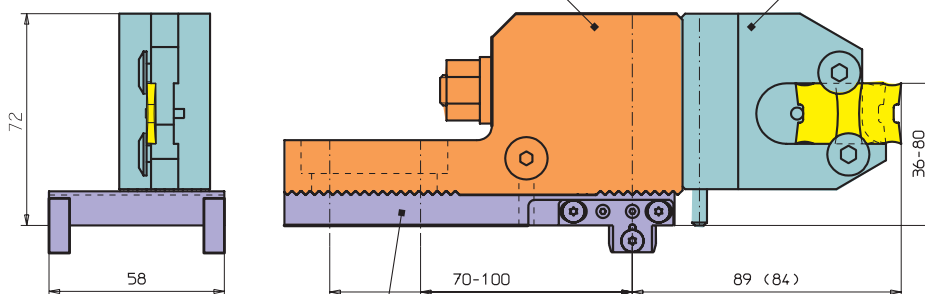
**Basic tool holder
MGHB 30**

**Tool holder
MWHS 17 BKL**



**Basic tool holder
MGHC 30**

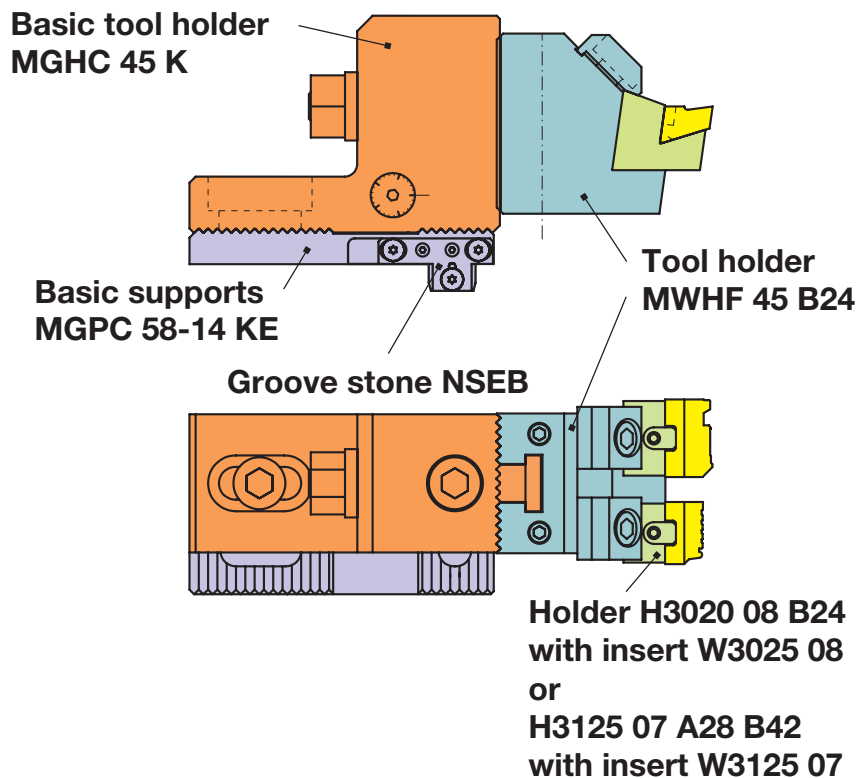
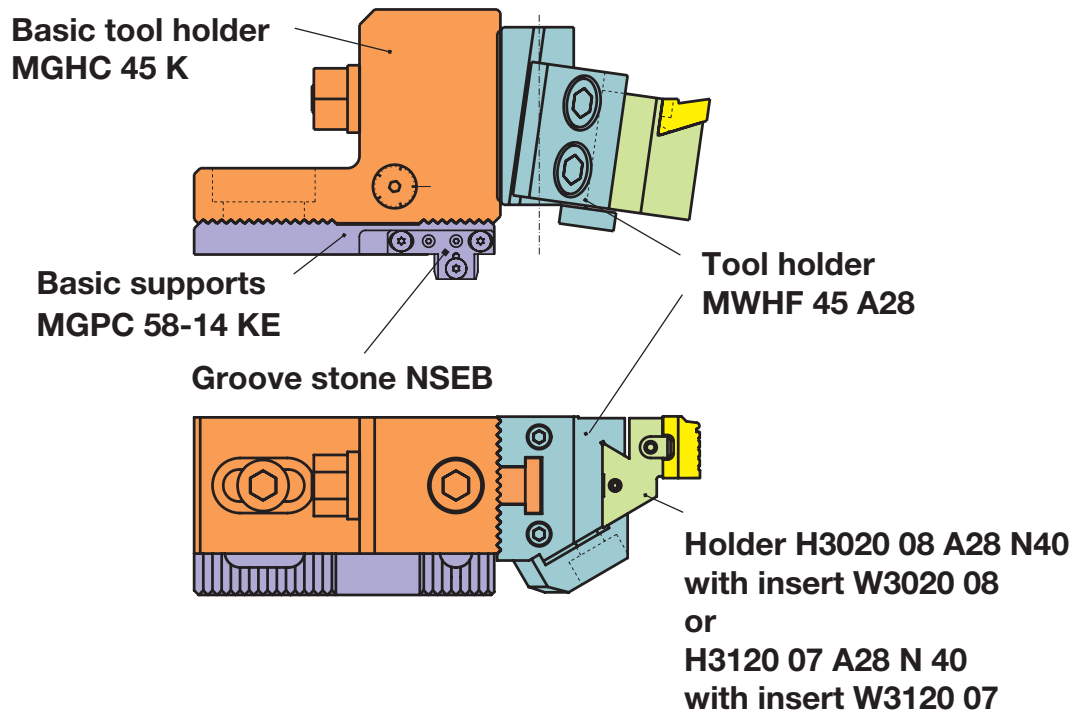
**Tool holder
MWHS 20 QS**



**Basic supports
MGPC 58-14**

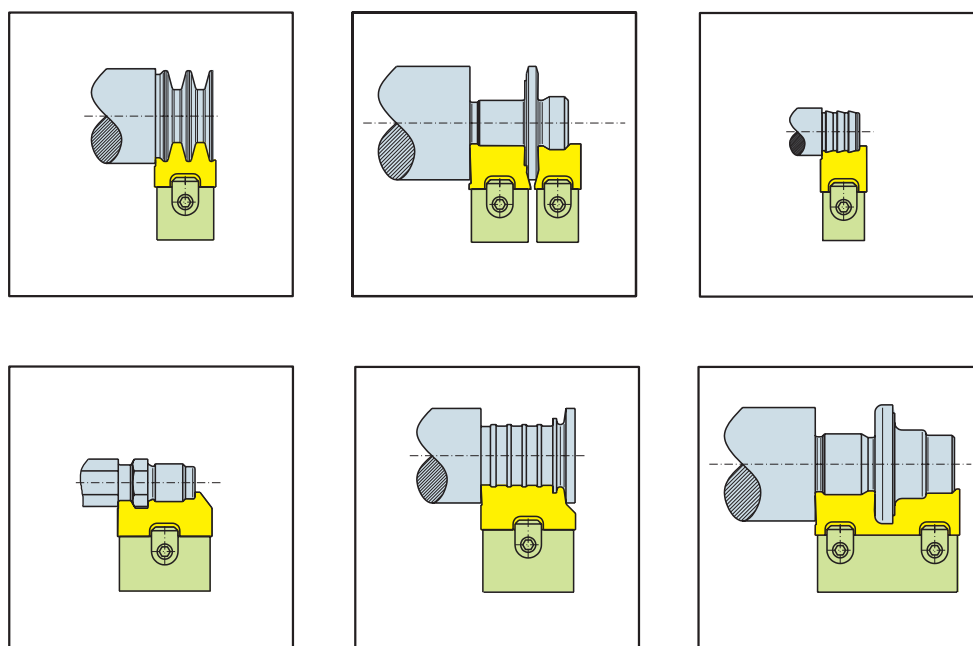
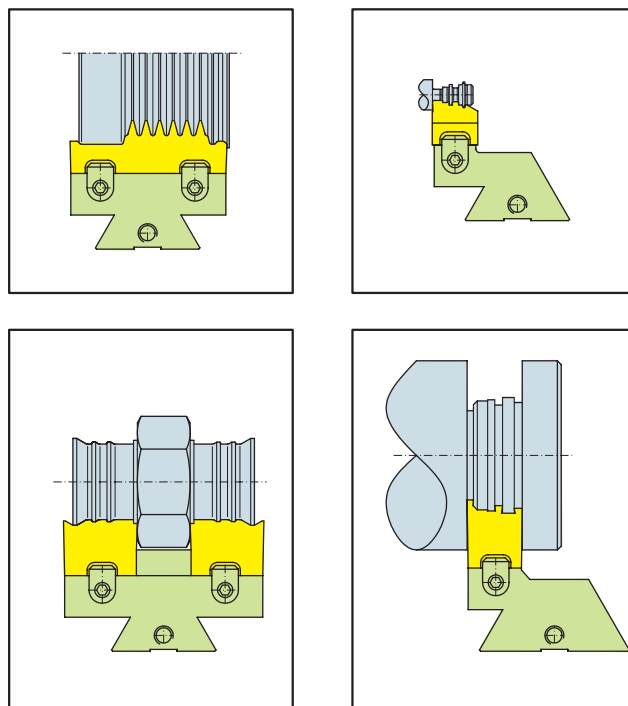
For BK blades and QS Quattro blades, see product information 01A.

Assembly example - profile grooving A28 and B42

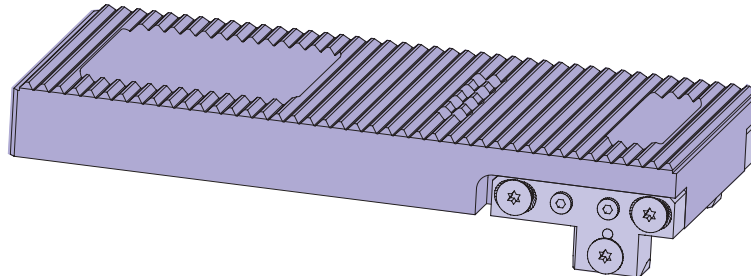


For Fix-Profil holder and Fix-Profil inserts, see product information 04A.

Examples of applications - profile grooving



Basic supports, standard, MGPC ...



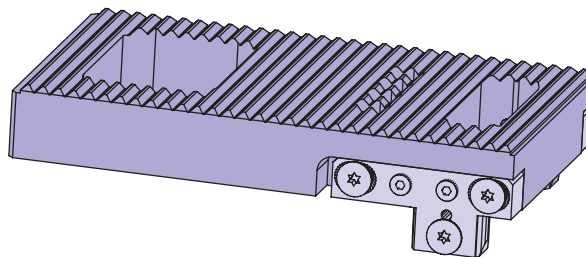
Product group 01D

Basic supports	Dimensions in mm				Distance of slots adjustable			Dis
	Length	Width	Height		from	to		
Order no.	L	B	H		from	to	Dis	
MGPC 58-14	130	58	14		70	100	★	
MGPC 58-23	130	58	23		70	100	★	
MGPC 58-35	130	58	35		70	100	★	
MGPC 68-14	135	68	14		70	100	☆	
MGPC 68-23	135	68	23		70	100	★	

For a compatible basic holder see page 01B-9.

For compatible tool holders MWH ... see page 01B-13.

Basic supports, short, MGPC ...K



Product group 01D

Basic supports	Dimensions in mm				Distance of slots adjustable			Dis
	Length	Width	Height		from	to		
Order no.	L	B	H		from	to	Dis	
MGPC 58-14K	98	58	14		55	70	★	
MGPC 58-23K	98	58	23		55	70	★	
MGPC 58-35K	98	58	35		55	70	★	
MGPC 68-14K	105	68	14		55	70	☆	
MGPC 68-23K	105	68	23		55	70	★	

For a compatible basic holder see page 01B-9.

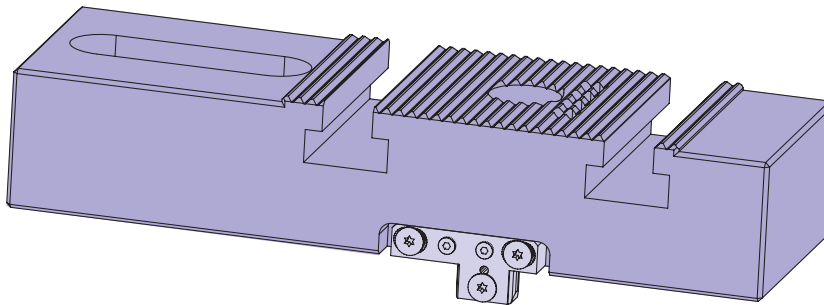
For compatible tool holders MWH ... see page 01B-13.

★ = ex stock

☆ = short lead time

☐ = upon request

Basic supports, matched



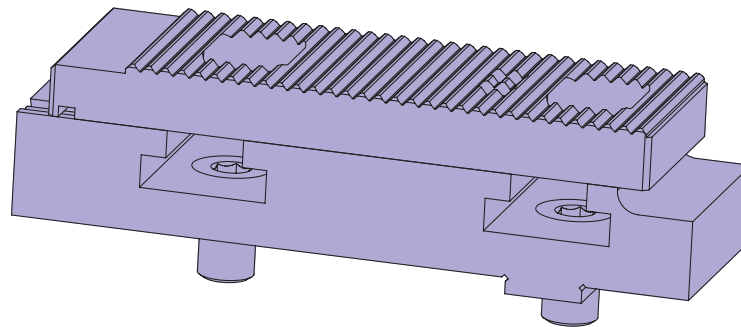
Product group 01D

Basic supports	Dimensions in mm				Distance of slots adjustable		Dis	
	Length	Width	Height		from	to		
Order no.	L	B	H		from	to	Dis	
MGPC 58-18 KM27	120	58	18		60	60	★	
MGPC 58-18 KP10	150	58	18					
MGPC 58-23KP33	180	58	23		60	100	★	
MGPC 58-35KP33	180	58	35		60	100	★	
MGPC 04-02	170	60	23		70	100	★	
MGPC 02-03	130	58	46		70	100	★	

For a compatible basic holder see page 01B-9.
For compatible tool holders MWH ... see page 01B-13.

★ = ex stock ☆ = short lead time ☐ = upon request

Basic supports and intermediate supports, Mori Say



Product group 01D

Basic supports	Dimensions in mm				Distance of slots adjustable			
	Length	Width	Height		from	to	Dis	
Order no.	L	B	H		from	to	Dis	
MGPC 39-14K	110	39	14					
Intermediate supports								
Order no.	L	B	H		from	to	Dis	
MZPC 39-19K	124	39	19					

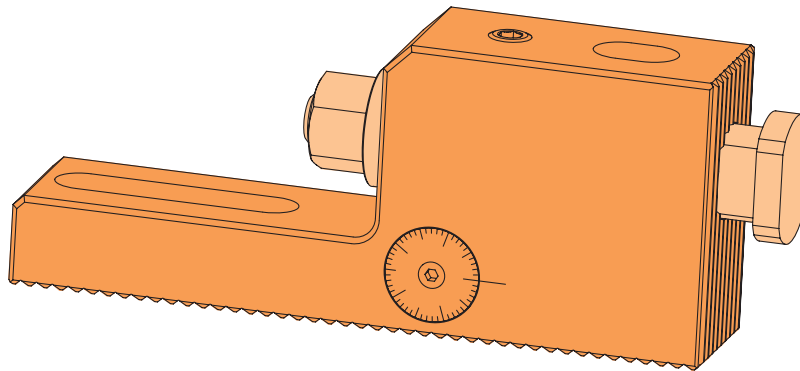
For a compatible basic holder see page 01B-10.
For compatible tool holders MWH ... see page 01B-14.

★ = ex stock

☆ = short lead time

☐ = upon request

Basic tool holder C, MGHC... standard



Product group 01D

Basic tool holder	Dimensions in mm					
	Length	Width	Height			
Order no.	L	B	H		Dis	
MGHC 30L	130	30	54		★	
MGHC 45L	130	45	54		★	

For a compatible basic support see page 01B-7.
For compatible tool holders MWH ... see page 01B-13.

Product group 21

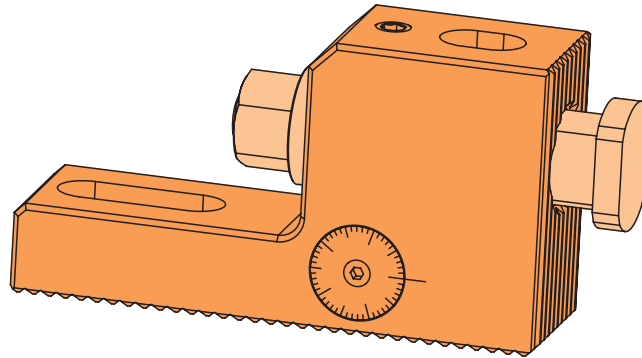
Spare parts basic tool holder					
Order no.	MGHC 30	MGHC 45		Dis	
Connecting bolt	MSZB	MSZB		★	
Link	MGHK 30	MGHK 45		★	
Allen screw	SCHW M08x10 DIN 913	SCHW M08x10 DIN 913		★	

★ = ex stock

☆ = short lead time

☐ = upon request

Basic tool holder C, MGHC... short



Product group 01D

Basic tool holder	Dimensions in mm					
	Length	Width	Height			
Order no.	L	B	H		Dis	
MGHC 30K	107	30	68		★	
MGHC 45K	107	45	68		★	
MGHC 30KK	100	30	55		★	
MGHC 45KK	100	45	55		★	

For a compatible basic support see page 01B-7.
For compatible tool holders MWH ... see page 01B-13.

Product group 21

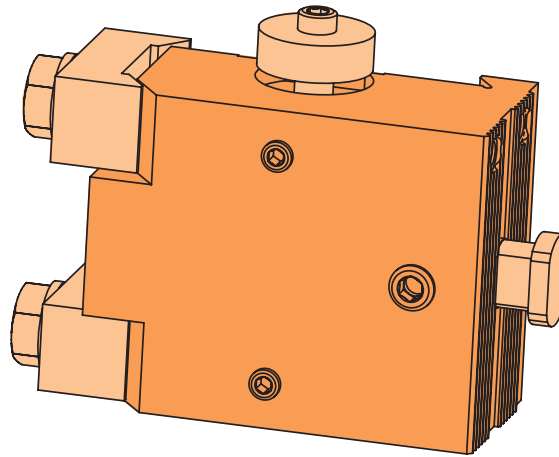
Spare parts Basic tool holder					
Order no.	MGHC 30 K	MGHC 45 K		Dis	
Connecting bolt	MSZB K	MSZB K		★	
Link	MGHK 30	MGHK 45		★	
Allen screw	SCHW M08x10 DIN 913	SCHW M08x10 DIN 913		★	

★ = ex stock

☆ = short lead time

☐ = upon request

Basic tool holder C, MGHC ...



Product group 01D

Basic tool holder	Dimensions in mm					
	Length	Width	Height			
Order no.	L	B	H	Machine	Dis	
MSGH 32INC	115	30	85	MS32C	<input type="checkbox"/>	
MSGH 42INC	115	45	85	MS42C	<input type="checkbox"/>	
For a compatible basic support see page 01B-7. For compatible tool holders MWH ... see page 01B-13.						

Product group 01D

Basic tool holder	Dimensions in mm					
	Length	Width	Height			
Order no.	L	B	H	Machine	Dis	
GHMS 32INC	115	50	85	MS32C	<input type="checkbox"/>	
This basic holder accepts the tools directly. There are no tool holders.						

Product group 21

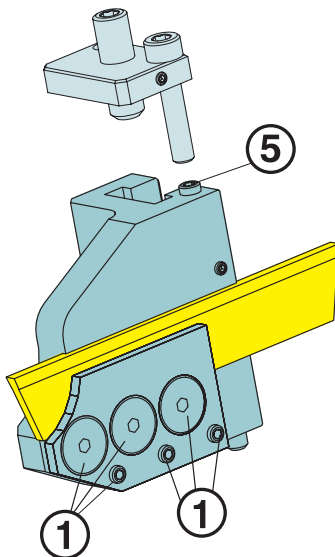
Spare parts Basic tool holder						
Order no.	MGHC 30/45 INC				Dis	
Connecting bolt	MSZB Q				<input type="checkbox"/>	
Clamping screw (for MSZB Q)	SCHW M12x1,5x20 60°				<input type="checkbox"/>	
Clamping element	MSPR 45INC				<input type="checkbox"/>	
Height adjustment	SCH HS M10x45 D30				<input type="checkbox"/>	
Pressure spring	FEDR 13x01x40				<input type="checkbox"/>	

★ = ex stock

☆ = short lead time

= upon request

Tool holder MWHS ... BK, blades



Tool holder MWHS ... R
= right-hand as shown
Left-hand configuration MWHS ... L
= mirror image

Product group 01D

Tool holder for BK blades	Dimensions in mm				Dis
	Height	Length	Width		
Order no.	H	L	B		Dis
MWHS 17 BK L	58	87	30		★
MWHS 17 BK R	58	87	30		★
MWHS 17 BK L8	58	87	30		★
MWHS 17 BK R8	58	87	30		☐

For compatible BK blades see product information 01A cut-off tools with blade

Product group 21

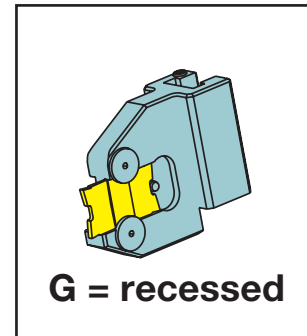
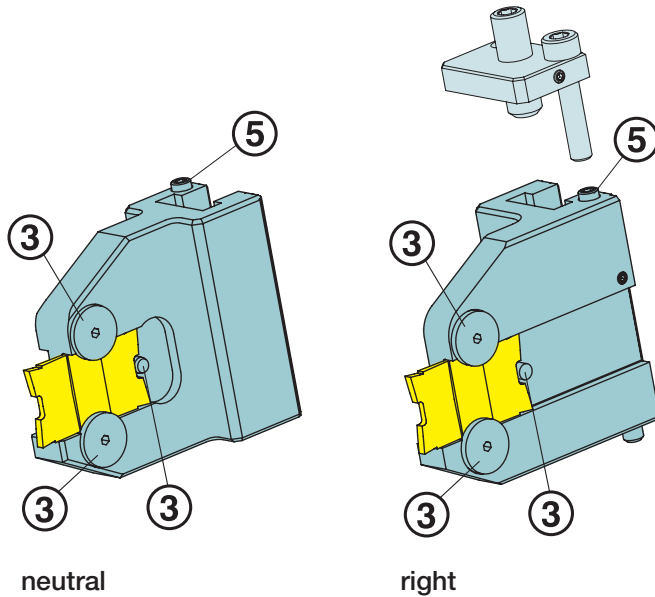
Tool holder MWHS ... BK for adaptation of BK blades			
	Order no.	Spare parts	
①	MWHP 17BK L	BK clamping plate left	
	MWHP 17BK R	BK clamping plate right	
	SCHS M06x0,75x12	Clamping screw	
	SCHW M4x6	Adjustment screw	
⑤	SCHW M5x50	Screw for height adjustment	
⑤	Height adjustment MWHA30 see page 01B-20.		

★ = ex stock

☆ = short lead time

☐ = upon request

Tool holder MWHS ...QS, Quattro



Tool holder MWHS ... R
= right-hand as shown
Left-hand configuration MWHS ... L
= mirror image

Product group 01D

Tool holder for QS blades	Dimensions in mm					
	Height	Length	Width			
Order no.	H	L	B		Dis	
MWHS 20QS N	58	87	30		★	
MWHS 20QS R	58	87	30		★	
MWHS 20QS L	58	87	30		★	
MWHS 20QS RG	58	87	30		★	

For compatible Quattro blades QS see product information 01A Blade cut-off tools.

Product group 21

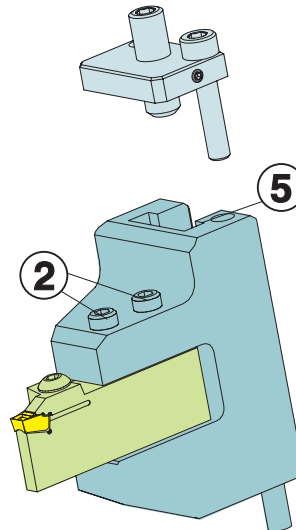
Tool holder MWHS ... for the adaptation of QS blades			
	Order no.	Spare parts	
③	SCHK M06x0,75x12	QS Clamping screw	
	ZYD D4x6x12	Stop pin	
⑤	SCHW M5x50	Screw for height adjustment	
⑤	Height adjustment MWHA30 see page 01B-20.		

★ = ex stock

☆ = short lead time

☐ = upon request

Tool holder MWHD.. turning



Product group 01D

Tool holder for turning tool holder		Dimensions in mm					
		Height	Length	Width			
Order no.	for clamping height	H	L	B		Dis	
MWHD 10 N	10	58	87	30		★	
MWHD 12 N	12	58	87	30		★	
MWHD 16 N	16	58	87	30		★	
MWHD 20 N	20	58	87	30		★	
For a compatible turning holder see production information 10 cut-off operation.							

Product group 21

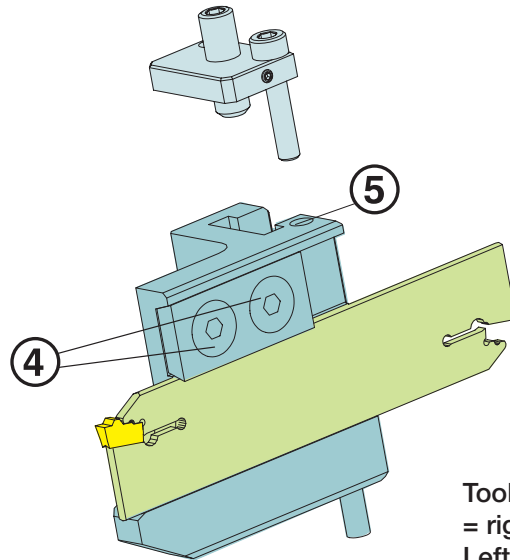
Tool holder MWHD... for adaptation of shaft holders			
	Order no.	Spare parts	
②	SCHW M6x12	Shaft screw	
⑤	SCHW M5x50	Screw for height adjustment	
⑤	Height adjustment MWHA30 see page 01B-20.		

★ = ex stock

☆ = short lead time

☐ = upon request

Tool holder MWHS ... 26T, cut-off holder



Tool holder MWHS ... TR
= right-hand as shown
Left-hand configuration MWHS ... TL
= mirror image

Product group 01D

Tool holder for holder ... TR/TL	Dimensions in mm					
	Height	Length	Width			
Order no.	H	L	B		Dis	
MWHS 26 TL	58	87	30		★	
MWHS 26 TR	58	87	30		★	
MWHS 32 TL	58	87	30		★	
MWHS 32 TR	58	87	30		★	
For a compatible cut-off holder see production information 10 cut-off operation.						

Product group 21

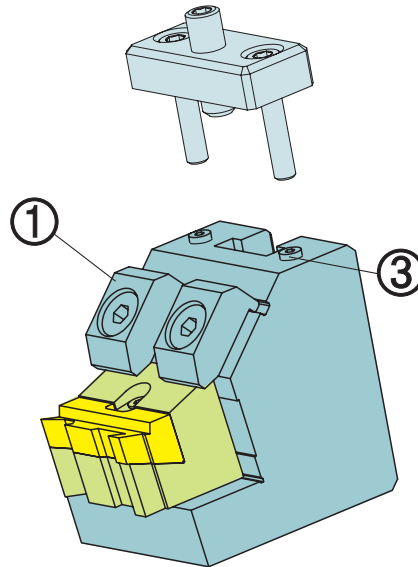
Tool holder MWHS ... T for holder 26/32			
	Order no.	Spare parts	
④	MWHK T	Tensioning wedge	
	SCHS M06x0,75x12	Clamping screw	
⑤	SCHW M5x50	Screw for height adjustment	
⑤	Height adjustment MWHA30 see page 01B-20.		

★ = ex stock

☆ = short lead time

☐ = upon request

Tool holder MWHF B42, profile grooving



Product group 01D

Tool holder Fix-Profil tools	Dimensions in mm					
	Height	Length	Width			
Order no.	H	L	B		Dis	
MWHF 30 B42	58	80	30		★	
MWHF 45 B42	58	80	45		★	

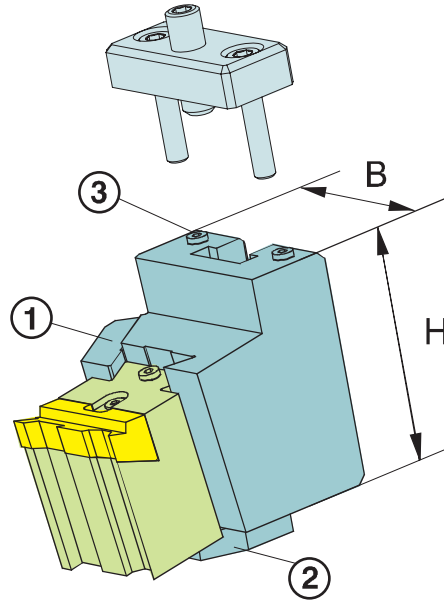
For compatible Fix-Profile tools see product information 04.

Product group 21

For tool holder MWHF B42 - profile grooving			
	Order no.	Spare parts	
①	*MWHP 14 B42	Claw (up to 3 pcs per holder)	
	*MWHP 20 B42	Claw (up to 2 pcs per holder)	
	SCHI M6x20	Screw for claw	
Height adjustment for tool holder MWHF			
③	SCHW M5x50	Screw for height adjustment	
④	Height adjustment MWHA30/MWHA45 see page 01B-20. * Note: various options are available. Select a version.		

★ = ex stock ☆ = short lead time □ = upon request

Tool holder MWHF A28, profile grooving



Product group 01D

Tool holder Fix-Profil tools	Dimensions in mm					
	Height	Length	Width			
Order no.	H	L	B		Dis	
MWHF 45 A28	58	80	45		★	

For compatible Fix-Profile tools see product information 04.

Product group 21

For tool holder MWHF - profile grooving			
	Order no.	Spare parts	
For tool holder MWHF ... A28			
③	*MWHP 35 A28	Claw (up to 1 pc per holder)	
	SCHI M8x16	Screw for claw	
Tool stop MWHF ... A28			
②	MWHA 28 A	Tool stop A28	
Height adjustment for tool holder MWHF			
③	SCHW M5x50	Screw for height adjustment	
④	Height adjustment MWHA45 see page 01B-20. * Note: various options are available. Select a version.		

★ = ex stock

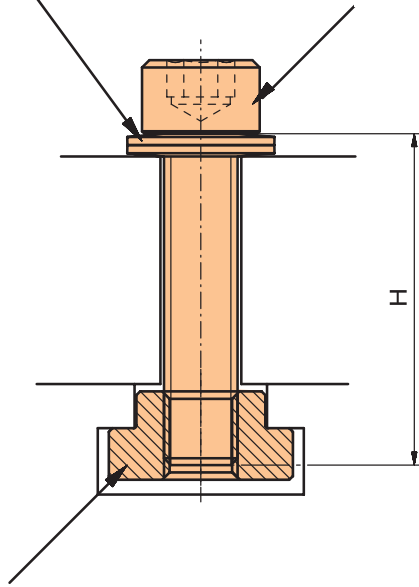
☆ = short lead time

☐ = upon request

Clamping example

2x Disc spring
F ETE 20 10 02

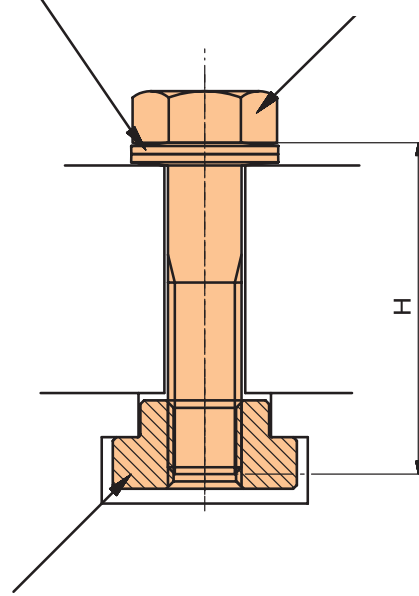
Screw
SCHIM 10xL - DIN912



Slot tension screw NUMU M10

2x Disc spring
F ETE 20 10 02

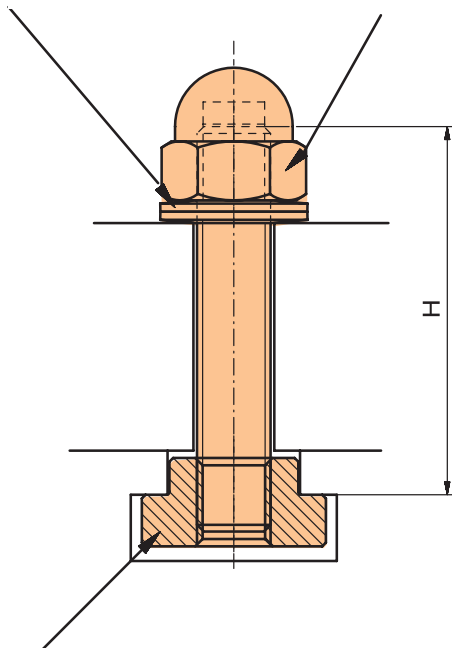
Screw
SCH SK M 10 x 45 DIN931



Slot tension screw NUMU M10

2x Disc spring
F ETE 20 10 02

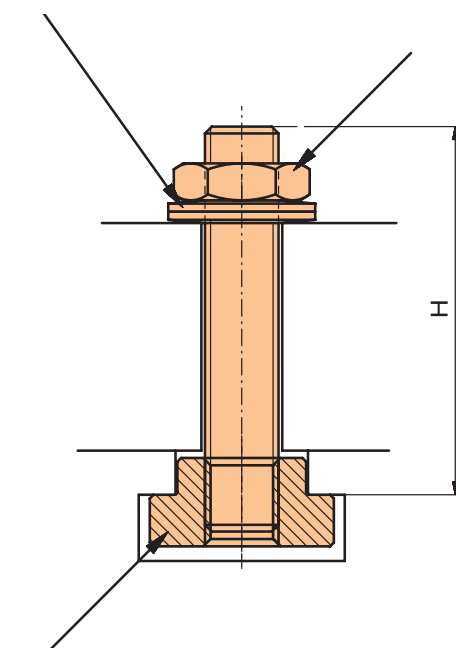
Slot screw
MUT H M10x17



Straight bolt MS SB M10

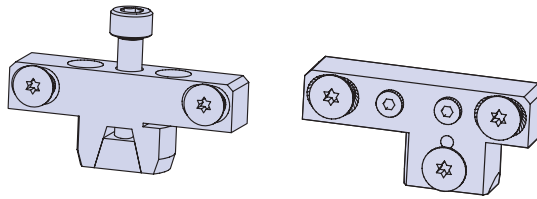
2x Disc spring
F ETE 20 10 02

Hexagonal nut M 10
DIN EN24035



Straight bolt MS SB M10

Slot nut for T-slots



Product group 21

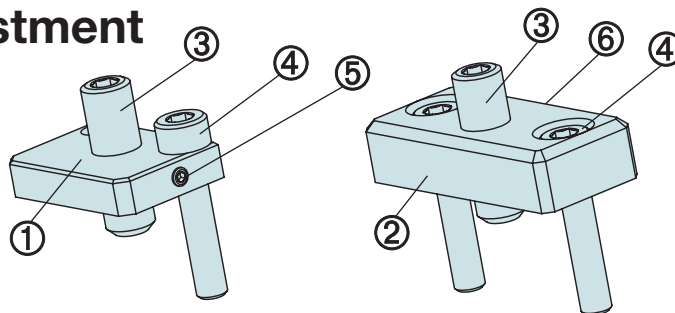
Spare parts basic supports		Dimensions in mm		Dimensions in mm	
Order no.	B	Dis		B	Dis
NSEB 12 KM	12	★	NSEB 12	12	★
NSEB 14,3 KM	14.3	★	NSEB 14,3	14.3	★
NSEB 15,9 KM	15.9	★	NSEB 15,9	15.9	★
NSEB 16 KM	16	★	NSEB 16	16	★
NSEB 18 KM	18	★	NSEB 18	18	★
NSEB 19,1 KM	19.1	★	NSEB 19,1	19.1	★
NSEB 20 KM	20	★	NSEB 20	20	★
NSEB 22 KM	22	★	NSEB 22	22	★
NSEB 24 KM	24	★	NSEB 24	24	★

NSEB is adjusted to match width. Price upon request.

Spare parts Groove stone			Dis
SCHT15 M04x15	SCHT15 M04x15	Clamping screw	☆
SCHWM 04x10 60°	SCHWM 04x10 60°	Adjustment screw	☆
SCHT15 M04x08	SCHT15 M04x08	Spreader screw	☆

Basic tool holder see page 01B-10.

Height adjustment



Product group 21

Height adjustment for Tool holder			
	Order no.	Spare parts	
Alternative height adjustment tool holder			
①	MWHA 30	Height adjustment holder B = 30	
②	MWHA 45	Height adjustment holder B = 45	
③	SCHW M08x0,75x35/25	Stop screw	
④	SCHI M05x25	Screw	
⑤	SCHW M03x04 DIN913	Clamping screw	
⑥	SCHW M05x08 NLM	Clamping screw	

★ = ex stock

☆ = short lead time

□ = upon request

Interfaces to multi-spindle turning machines

Our M System tools have interfaces to fit the following multispindle lathes.

Drehmaschinen Leipzig

Gildemeister

Index

Mori Say

Pittler

S.P.N.

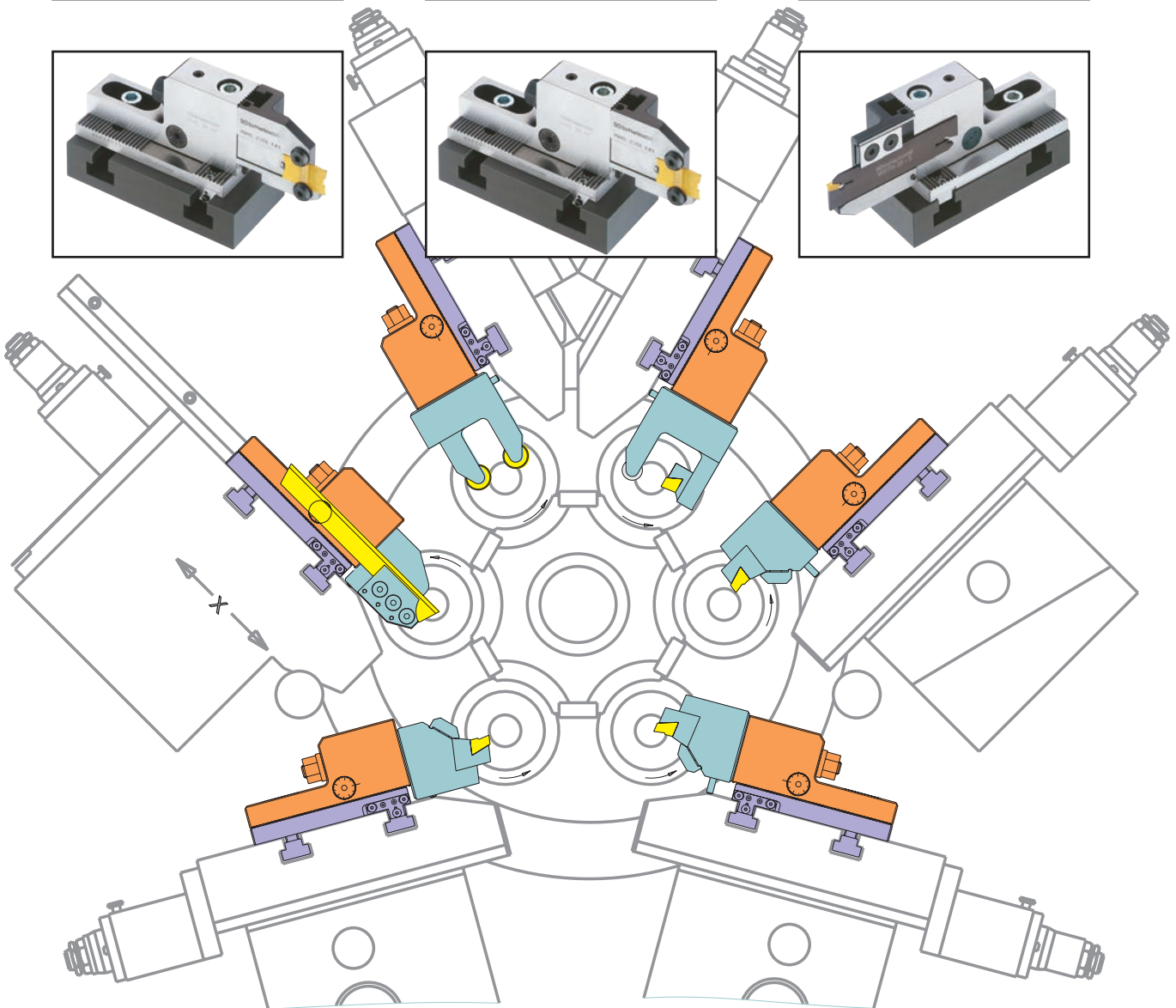
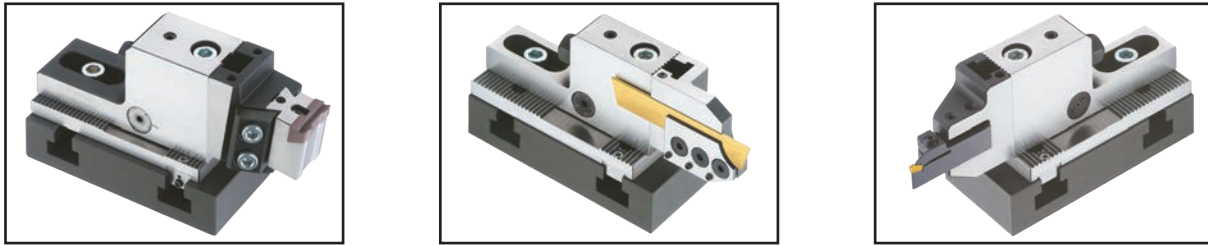
Say

Schütte

Tornos

Wickmann

M-System tools for all positions



TOOL POSITIONS

- | | | | |
|--------|----------------|--------|-------------------|
| pos. 1 | pre-cutting | pos. 4 | gauging |
| pos. 2 | finish cutting | pos. 5 | thread rolling |
| pos. 3 | finish cutting | pos. 6 | cut-off operation |