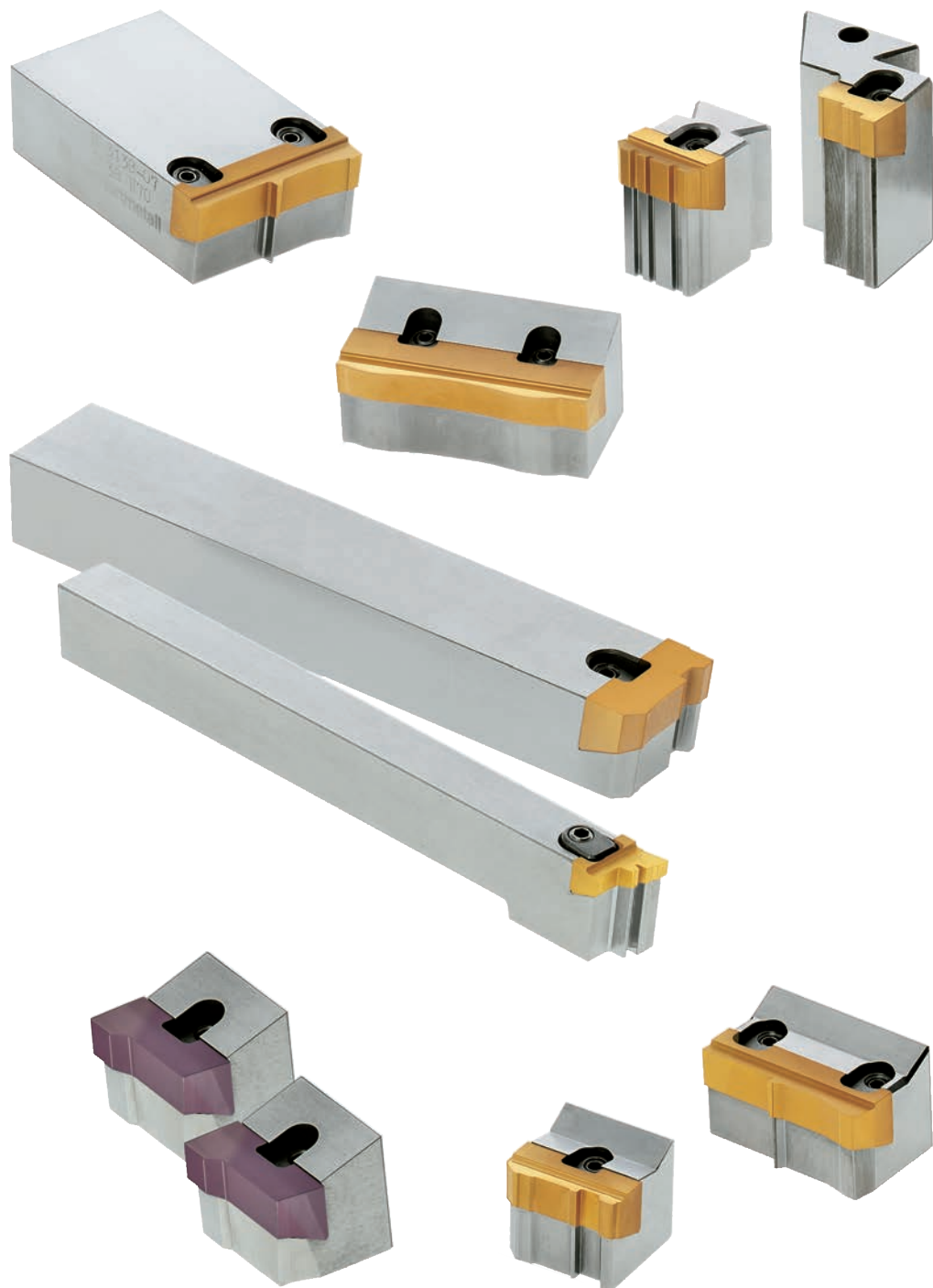


# fix-Profil

## Flat form tools





## Fix-Profil tools

Fix-Profil tool holder H30 ... 03 standard .....	04A-3
Fix-Profil tool holder H30 ... 08 standard .....	04A-4
Fix-Profil tool holder H31 ... 07 standard .....	04A-5
Fix-Profil tool holder H30 ... with prism A28 .....	04A-6
Fix-Profil tool holder STFCN ... with prism A28 .....	04A-7
Examples of applications: Fix-Profil prism tool holder.....	04A-8
Fix-Profil tool holder H30 ... B42 .....	04A-9
Fix-Profil tool holder H31 ... B42 .....	04A-10
Examples of applications: Fix-Profil tool holder B42 .....	04A-11
Fix-Profil inserts W30 ... ..	04A-12
Fix-Profil inserts W31 ... ..	04A-13
Profile grooving tool, internal profil with clamped insert .....	04A-14
Regrind and profiling fixtures .....	04A-15
Block holder blanks.....	04A-16

Other versions and dimensions upon request.

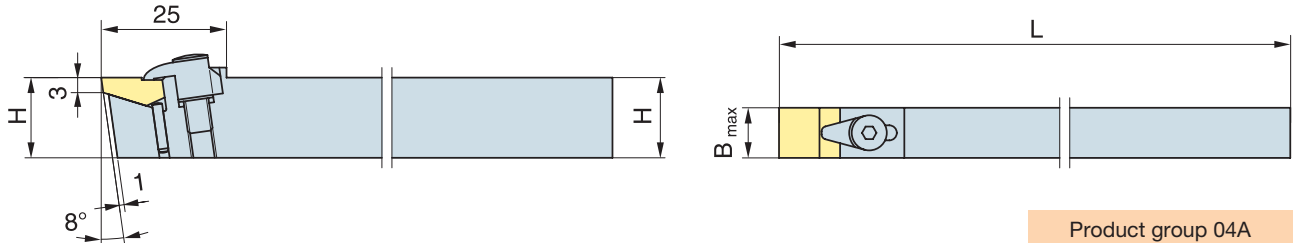
We reserve the right to make technical modifications.

All prices are net in EURO + VAT (value added tax).

### Fix-Profil tool holder H30 ... 03 standard

#### Version A

Rake angle 0°  
Clearance angle 8°



Product group 04A

Order no.	Version	Dimensions in mm			Dis	Price €/ piece
		H	B <sub>max</sub>	L		
H 3006 03 1606 N	A	16	6	125	☆	110.70
H 3008 03 1608 N	A	16	8	125	☆	110.70
H 3010 03 1610 N	A	16	10	125	☆	110.70

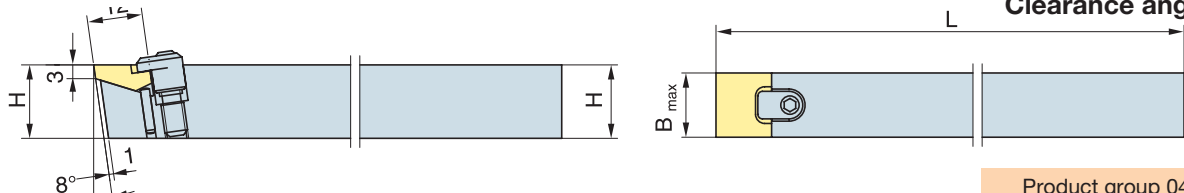
For compatible Fix-Profil inserts - see page 04A-12.

Product group 04A

Spare parts	Clamping element	€/ piece	Cylinder pin	€/ piece
H3006	PRE 172.9-825-1	30.60	ZYD02 m6 06	1.50
H3008-H3010	PRE 174.9-830-2	30.60	ZYD02 m6 08	1.50

#### Version B

Rake angle 0°  
Clearance angle 8°



Product group 04A

Order no.	Version	Dimensions in mm			Dis	Price €/ piece
		H	B <sub>max</sub>	L		
H 3012 03 1212 N	B	12	12	150	☆	107.10
H 3012 03 1612 N	B	16	12	150	☆	107.10
H 3012 03 2012 N	B	20	12	150	☆	107.10
H 3014 03 1614 N	B	16	14	150	☆	109.60
H 3014 03 2014 N	B	20	14	150	☆	109.60
H 3016 03 1616 N	B	16	16	150	☆	122.80
H 3016 03 2016 N	B	20	16	150	☆	122.80
H 3020 03 2020 N	B	20	20	150	☆	128.60
H 3025 03 2525 N	B	25	25	150	☆	134.80
H 3032 03 2032 N	B	20	32	150	☆	142.10

For compatible Fix-Profil inserts - see page 04A-12.

★ = ex stock

☆ = short lead time

□ = upon request

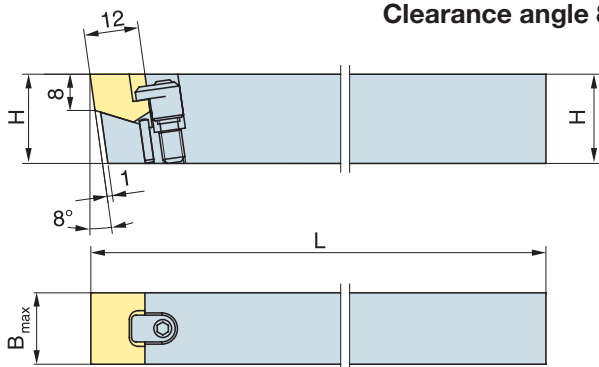
Product group 21

Spare parts	Wedge clamp	€/ piece	Double threaded pin	€/ piece	Cylinder pin	€/ piece
H3012 03 1212	PRY 2162 N	23.10	DG M5 12	5.20	ZYD02 m6 08	1.50
Other version B	PRY 2162 N	23.10	DG M5 15 N	5.20	ZYD02 m6 12	2.30

## Fix-Profil tool holder H30 ... 08 standard

### Version B

Rake angle 0°  
Clearance angle 8°

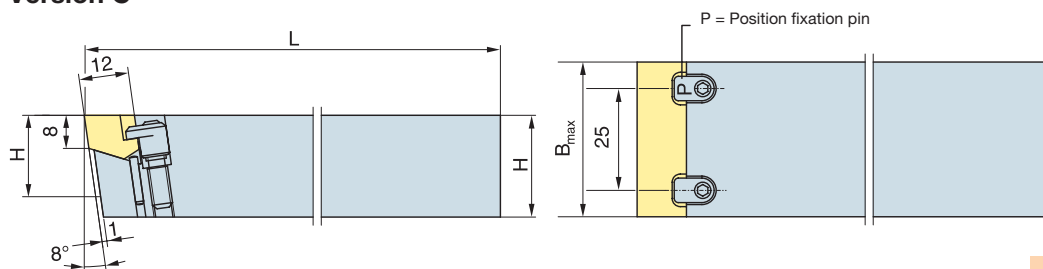


Product group 04A

Order no.	Version	Dimensions in mm			Dis	Price €/ piece
		H	B <sub>max</sub>	L		
H 3014 08 2014 N	B	20	14	150	☆	116.90
H 3014 08 2514 N	B	25	14	150	☆	116.90
H 3016 08 2016 N	B	20	16	150	☆	123.90
H 3016 08 2516 N	B	25	16	150	☆	123.90
H 3020 08 2020 N	B	20	20	150	☆	128.60
H 3020 08 2520 N	B	25	20	150	☆	128.60
H 3025 08 2025 N	B	20	25	150	☆	134.80
H 3025 08 2525 N	B	25	25	150	☆	134.80
H 3032 08 2032 N	B	20	32	150	☆	142.10
H 3032 08 2532 N	B	25	32	150	☆	142.10
H 3032 08 3232 N	B	32	32	150	☆	142.10

For compatible Fix-Profil inserts - see page 04A-12.

### Version C



Product group 04A

Order no.	Version	Dimensions in mm			Dis	Price €/ piece
		H	B <sub>max</sub>	L		
H 3045 08 2545 N	C	25	45	150	☆	201.90

For compatible Fix-Profil inserts - see page 04A-12.

★ = ex stock

☆ = short lead time

□ = upon request

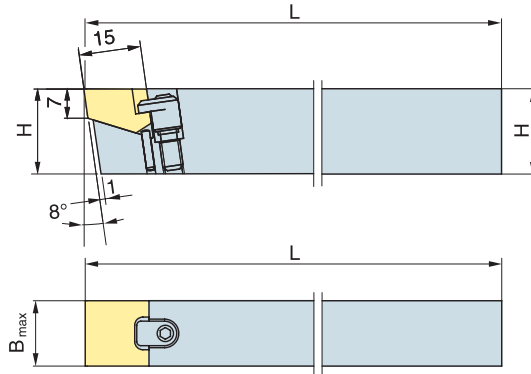
Product group 21

Spare parts	Wedge clamp	€/ piece	Double threaded pin	€/ piece	Cylinder pin	€/ piece
	PRY 2162 N	23.10	DG M5 15 N	5.20	ZYD02 m6 12	2.30

## Fix-Profil tool holder H31 ... 07 standard

### Version B

Rake angle 0°  
Clearance angle 8°

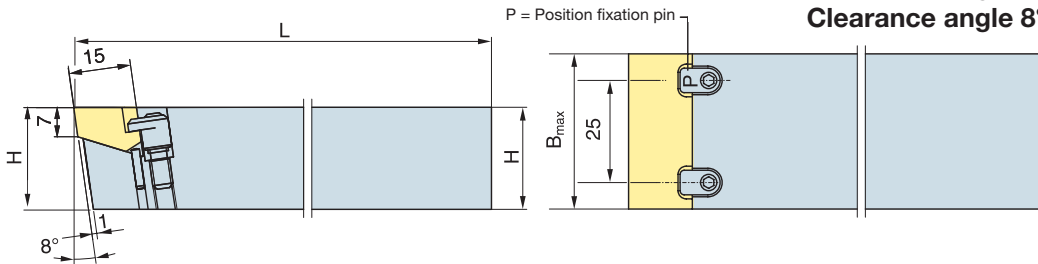


Product group 04A

Order no.	Version	Dimensions in mm			Dis	Price €/ piece
		H	B <sub>max</sub>	L		
H 3110 07 2010 N	B	20	10	150	☆	129.70
H 3114 07 2014 N	B	20	14	150	☆	129.70
H 3120 07 2020 N	B	20	20	150	☆	134.80
H 3125 07 2025 N	B	20	25	150	☆	141.70
H 3132 07 2532 N	B	25	32	150	☆	145.90
For compatible Fix-Profil inserts W31 ... see page 04A-13.						

### Version C

Rake angle 0°  
Clearance angle 8°



Product group 04A

Order no.	Version	Dimensions in mm			Dis	Price €/ piece
		H	B <sub>max</sub>	L		
H 3145 07 2045 N	C	20	45	150	☆	205.90
H 3160 07 2560 N	C	25	60	150	☆	218.90
For compatible Fix-Profil inserts W31 ... see page 04A-13.						

★ = ex stock

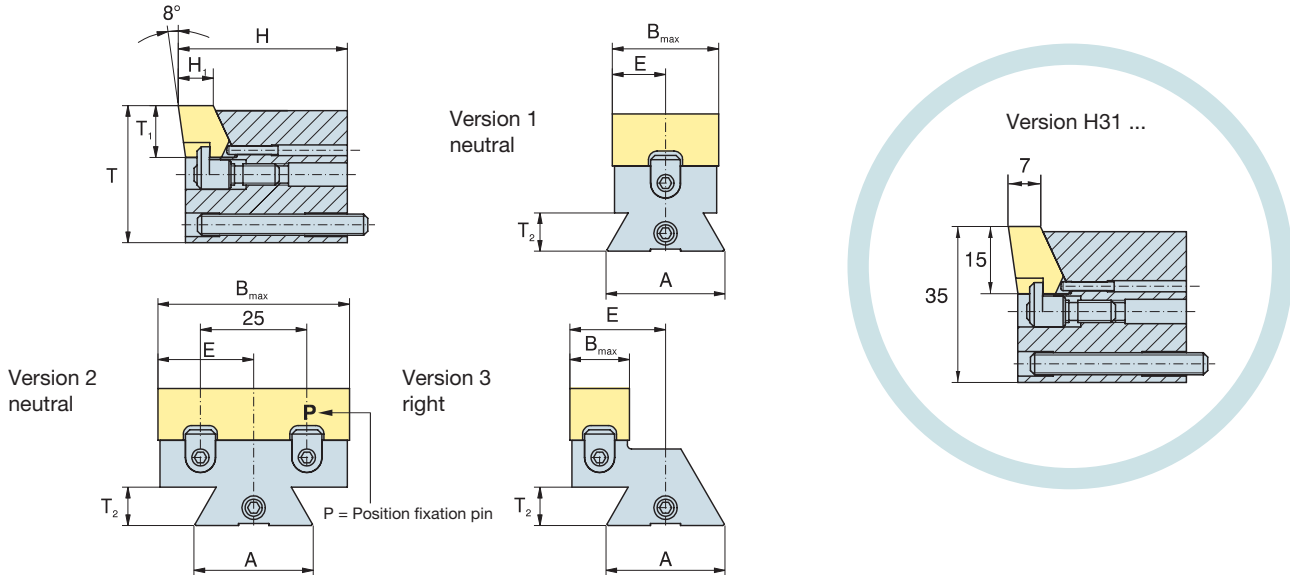
☆ = short lead time

□ = upon request

Product group 21

Spare parts	Wedge clamp	€/ piece	Double threaded pin	€/ piece	Cylinder pin	€/ piece
	PRY 2162 N	23.10	DG M5 15 N	5.20	ZYD02 m6 12	2.30

## Fix-Profil tool holder H30 ... with prism A28



Product group 04A

Order no.	H	Ver.	Dimensions in mm							40	Price €/ piece
			A	T	B <sub>max</sub>	H <sub>1</sub>	T <sub>1</sub>	T <sub>2</sub>	E		
H 3014 08 A28N	40	1	28	32	14	8	12	9	7.0	☆	202.60
H 3014 08 A28R	40	3	28	32	14	8	12	9	22.5	☆	202.60
H 3016 08 A28N	40	1	28	32	16	8	12	9	8.0	☆	208.90
H 3016 08 A28R	40	3	28	32	16	8	12	9	22.5	☆	214.00
H 3020 08 A28N	40	1	28	32	20	8	12	9	10.0	☆	215.90
H 3020 08 A28R	40	3	28	32	20	8	12	9	22.5	☆	227.40
H 3025 08 A28N	40	1	28	32	25	8	12	9	12.5	☆	222.90
H 3025 08 A28R	40	3	28	32	25	8	12	9	22.5	☆	227.40
H 3032 08 A28N	40	1	28	32	32	8	12	9	16.0	☆	237.30
H 3038 08 A28N	40	2	28	32	38	8	12	9	19.0	☆	270.20
H 3045 08 A28N	40	3	28	32	45	8	12	9	22.5	☆	291.30

For compatible Fix-Profil inserts - see page 04A-12.

Also available in version H 31 ... Prices and delivery times upon request.

★ = ex stock

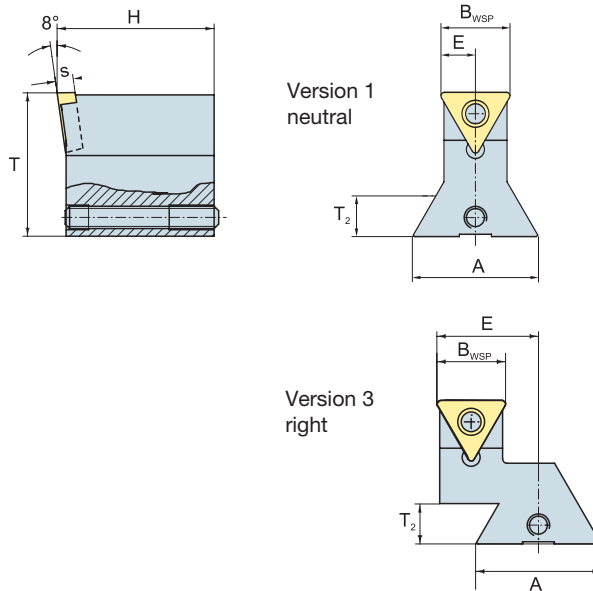
☆ = short lead time

□ = upon request

Product group 21

Spare parts	Wedge clamp	€/ piece	Double threaded pin	€/ piece
	PRY 2162 N	23.10	DG M5 15 N	5.20
	Cylinder pin	€/ piece	Screw for height adjustment	€/ piece
	ZYD02 m6 12	2.30	SCHWM5x40DIN913	3.00

### Fix-Profil tool holder STFCN ... with prism A28



Product group 04A

Order no.	H	Ver.	Dimensions in mm						Dis	Price €/ piece
			A	T	B <sub>WSP</sub>	s	T <sub>2</sub>	E		
STFCN A28 N40 TC16	40	1	28	32	15.3	3.97	9	7.66	□	
STFCN A28 R40 TC16	40	3	28	32	16	3.97	9	22.66	☆	233,00

For compatible Inserts TCMT - see product Info 05.

★ = ex stock

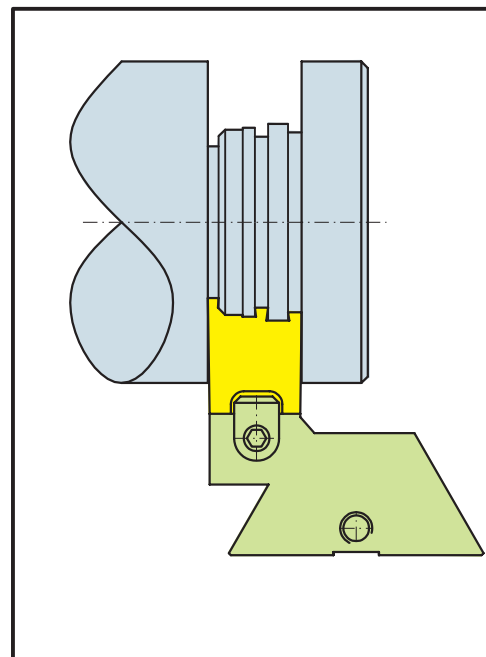
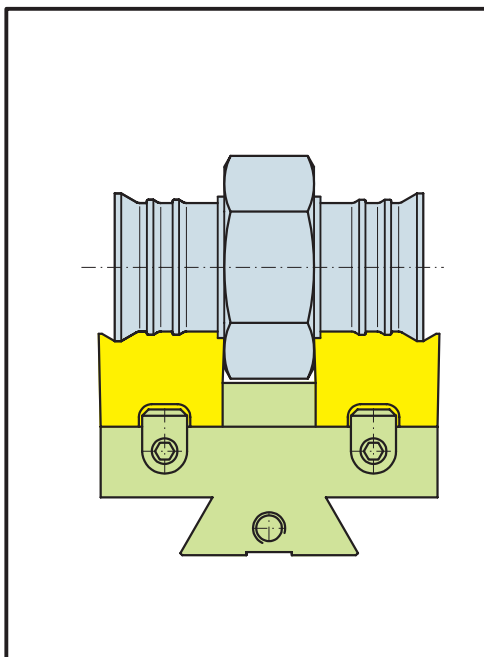
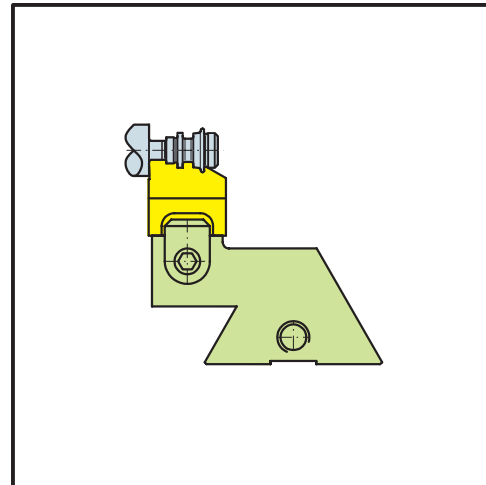
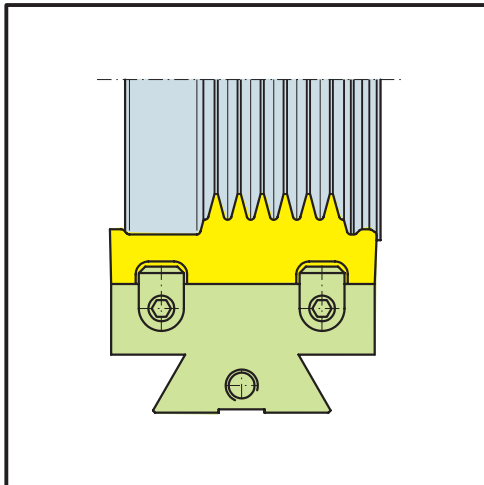
☆ = short lead time

□ = upon request

Product group 21

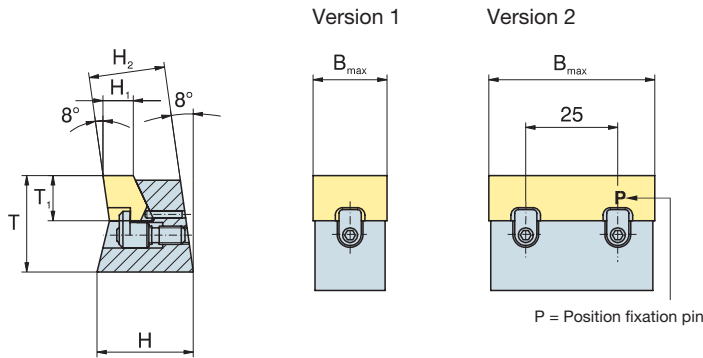
Spare parts	Torx screw	€/ piece	Screw for height adjustment	€/ piece
	SCHT15 M3.5x8	5.10	SCHWM5x40DIN913	3.00

## Examples of applications: Fix-Profil prism tool holder





### Fix-Profil tool holder H30 ... B42



#### Product group 04A

Order no.	Ver.	Dimensions in mm						Dis	Price €/ piece
		H	T	B <sub>max</sub>	H <sub>1</sub>	T <sub>1</sub>	H <sub>2</sub>		
H 3010 08 B42	1	26	26	10	8	12	20	☆	134.20
H 3012 08 B42	1	26	26	12	8	12	20	☆	130.10
H 3014 08 B42	1	26	26	14	8	12	20	☆	130.90
H 3016 08 B42	1	26	26	16	8	12	20	☆	139.20
H 3020 08 B42	1	26	26	20	8	12	20	☆	145.00
H 3025 08 B42	1	26	26	25	8	12	20	☆	150.00
H 3032 08 B42	1	26	26	32	8	12	20	☆	156.50
H 3038 08 B42	2	26	26	38	8	12	20	☆	183.80
H 3045 08 B42	2	26	26	45	8	12	20	☆	188.20

For compatible Fix-Profil inserts - see page 04A-12.

★ = ex stock

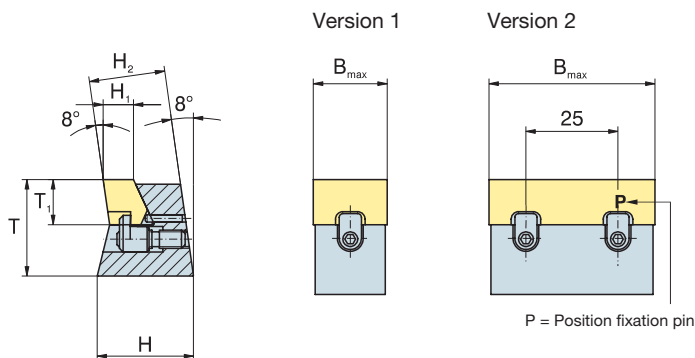
☆ = short lead time

□ = upon request

#### Product group 21

Spare parts	Wedge clamp	€/ piece	Double threaded pin	€/ piece	Cylinder pin	€/ piece
	PRY 2162 N	23.10	DG M5 15 N	5.20	ZYD02 m6 12	2.30

### Fix-Profil tool holder H31 ... B42



#### Product group 04A

Order no.	Ver.	Dimensions in mm						Dis	Price €/ piece
		H	T	B <sub>max</sub>	H <sub>1</sub>	T <sub>1</sub>	H <sub>2</sub>		
H 3110 07 B42	1	26	29	10	7	15	20	☆	143.80
H 3114 07 B42	1	26	29	14	7	15	20	☆	143.80
H 3116 07 B42	1	26	29	16	7	15	20	☆	143.80
H 3120 07 B42	1	26	29	20	7	15	20	☆	149.20
H 3125 07 B42	1	26	29	25	7	15	20	☆	157.60
H 3132 07 B42	1	26	29	32	7	15	20	☆	177.80
H 3138 07 B42	2	26	29	38	7	15	20	☆	193.50
H 3145 07 B42	2	26	29	45	7	15	20	☆	197.80
H 3160 07 B42	2	26	29	60	7	15	20	☆	226.90

For compatible Fix-Profil inserts - see page 04A-13.

★ = ex stock

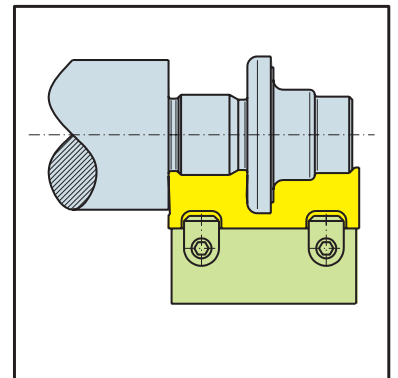
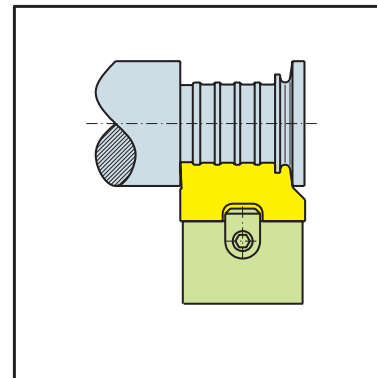
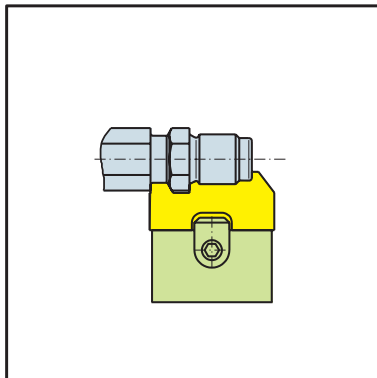
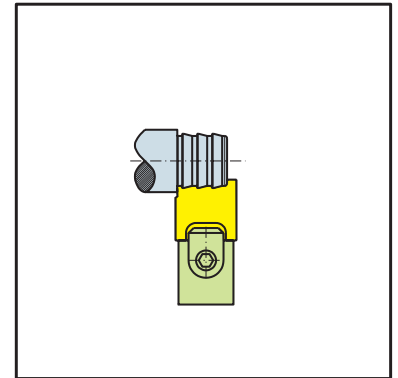
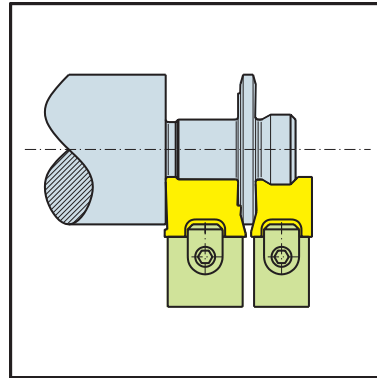
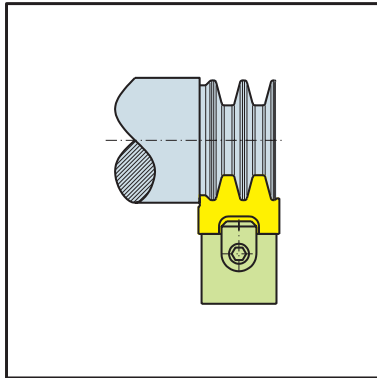
☆ = short lead time

□ = upon request

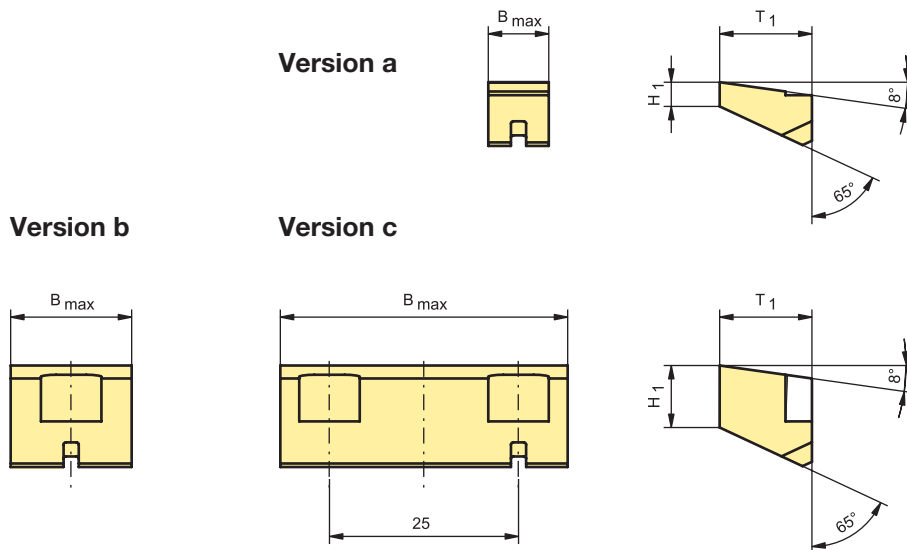
#### Product group 21

Spare parts	Wedge clamp	€/ piece	Double threaded pin	€/ piece	Cylinder pin	€/ piece
	PRY 2162 N	23.10	DG M5 15 N	5.20	ZYD02 m6 12	2.30

## Examples of applications: Fix-Profil tool holder B42



## Fix-Profil inserts W30 ...



Product group 04B

Order no.	Ver.	Dimensions in mm			P20	Price €/ piece	K10F	H10	Price €/ piece
		B <sub>max</sub>	T <sub>1</sub>	H <sub>1</sub>					
W 3006-03 N	a	6	12	3			☆		12.90
W 3008-03 N	a	8	12	3			☆		16.00
W 3010-03 N	a	10	12	3			☆		16.40
W 3012-03 N	b	12	12	3	□		☆		17.80
W 3014-03 N	b	14	12	3	□		☆		20.30
W 3016-03 N	b	16	12	3			☆		25.60
W 3018-03 N	b	18	12	3			☆		27.00
W 3020-03 N	b	20	12	3	□		☆		27.80
W 3025-03 N	b	25	12	3			☆		34.00
W 3028-03 N	b	28	12	3			☆		40.00
W 3030-03 N	b	30	12	3			□		
W 3032-03 N	b	32	12	3			☆		47.30
W 3038-03 N	c	38	12	3			☆		61.00
W 3045-03 N	c	45	12	3			☆		76.10
W 3010-08 N	b	10	12	8			☆		24.00
W 3012-08 N	b	12	12	8			☆		24.80
W 3014-08 N	b	14	12	8	□		☆		27.00
W 3016-08 N	b	16	12	8	□		☆		29.60
W 3018-08 N	b	18	12	8			☆		31.70
W 3020-08 N	b	20	12	8	□		☆		33.40
W 3025-08 N	b	25	12	8	□		☆		42.70
W 3028-08 N	b	28	12	8			☆		49.70
W 3032-08 N	b	32	12	8			☆		60.00
W 3038-08 N	c	38	12	8			☆		69.70
W 3045-08 N	c	45	12	8			☆		79.90

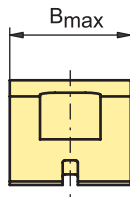
★ = ex stock

☆ = short lead time

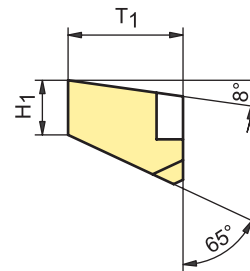
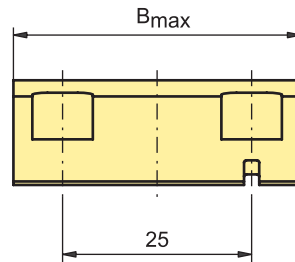
□ = upon request

## Fix-Profil inserts W31 ...

Version b



Version c



Product group 04B

Order no.	Ver.	Dimensions in mm			K30F	P20	Price €/ piece	K10F	H10	Price €/ piece
		B <sub>max</sub>	T <sub>1</sub>	H <sub>1</sub>						
W 3110-07 N	b	10	15	7			☆			27.10
W 3112-07 N	b	12	15	7			☆			28.80
W 3114-07 N	b	14	15	7			☆			30.50
W 3116-07 N	b	16	15	7			☆			32.10
W 3120-07 N	b	20	15	7			☆			36.30
W 3125-07 N	b	25	15	7			☆			46.40
W 3128-07 N	b	28	15	7			☆			57.90
W 3132-07 N	b	32	15	7			☆			64.50
W 3138-07 N	c	38	15	7			☆			75.40
W 3145-07 N	c	45	15	7			☆			83.40
W 3152-07 N	c	52	15	7			☆			87.70
W 3160-07 N	c	60	15	7			☆			91.60

Compatible holder H31 ...upon request. (Additional dimensions upon request.)

★ = ex stock

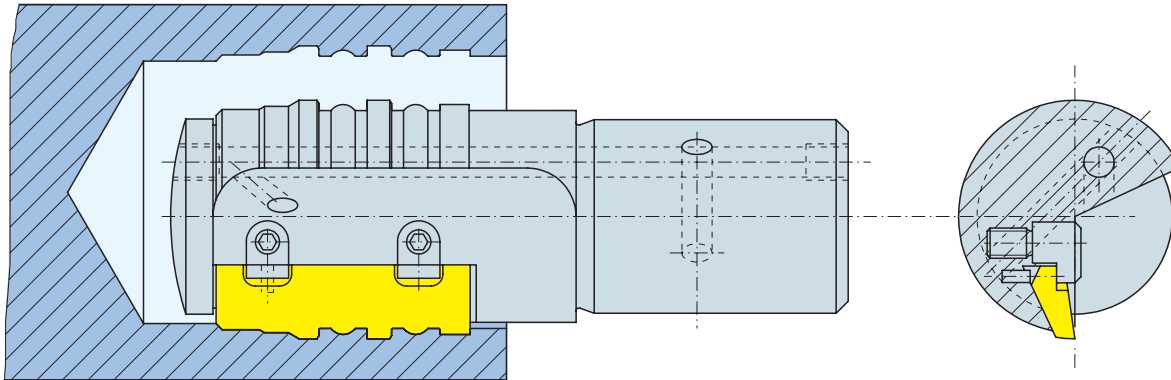
☆ = short lead time

□ = upon request

## Profile grooving tool, internal profil with clamped insert

**Fix-Profil**

Product group 04N



All internal grooving tools upon request.

**Please send us a work piece drawing.**

For a detailed offer, we require the following details:

- 1.) material to be machined
- 2.) desired total length of the tool
- 3.) desired diameter of the tool shaft
- 4.) desired steps of machining, for example: pre-grooving - finish grooving
- 5.) desired profile configuration
- 6.) desired cutting material, for example: HSS, Carbide, Cermet, etc.
- 7.) desired rake angle
- 8.) desired clearance angle
- 9.) desired side clearance angle

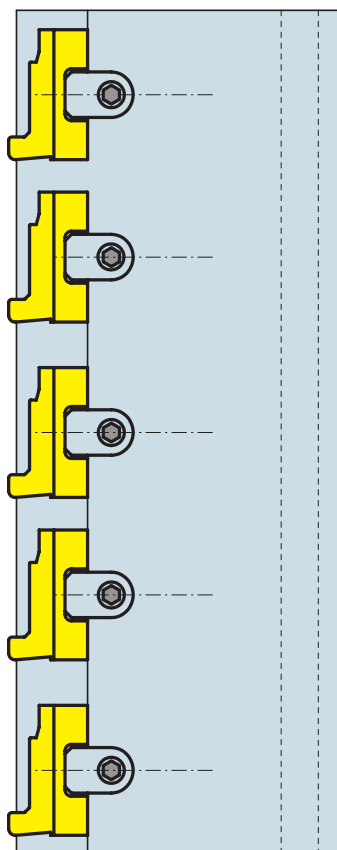
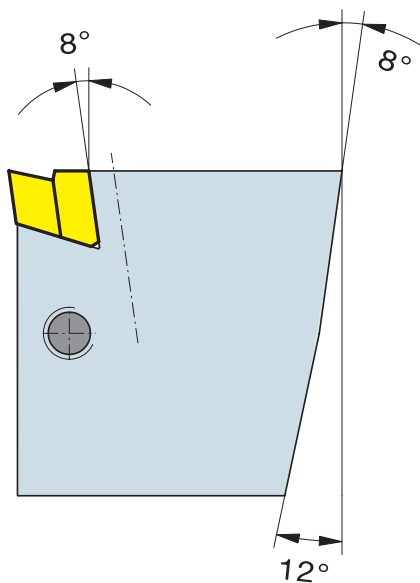
You must specify the details for items 1 - 3. If you do not have data for items 4 - 9, we will suggest values based on practical experience.

Fix-Profil inserts see pages 04A-12 - 04A-13.

## Regrind and profiling fixtures

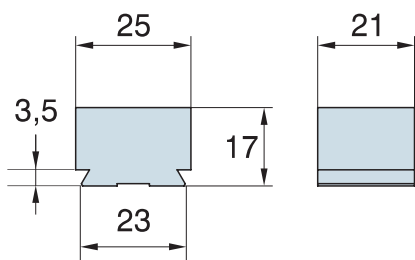
Made to match your machines and meet your needs

Product group 04S

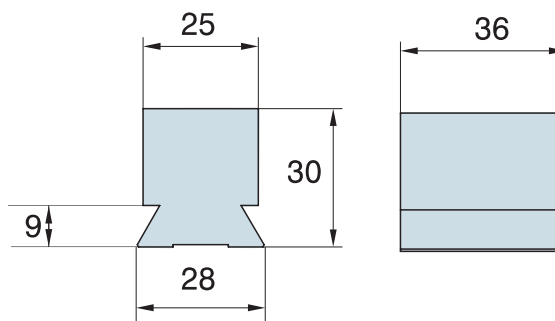


## Block holder blanks in carbide or HSS

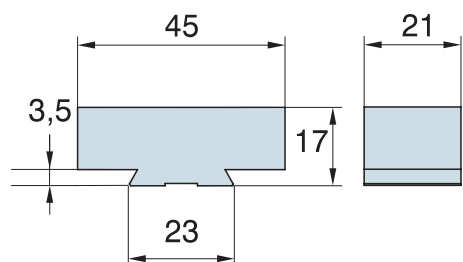
Product group 04J



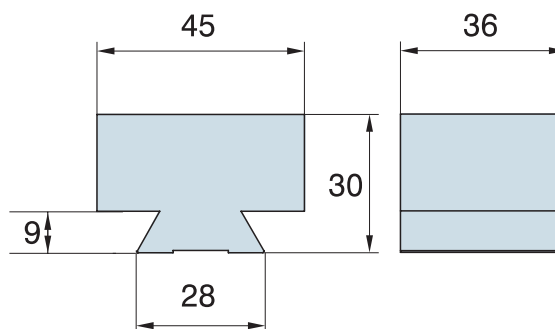
HB 2521 A23N K10F



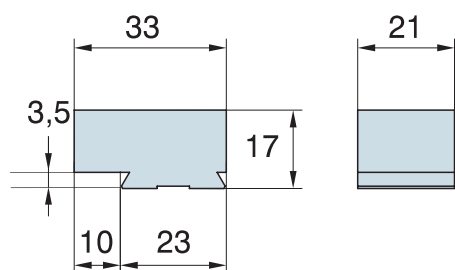
HB 2536 A28N K10F



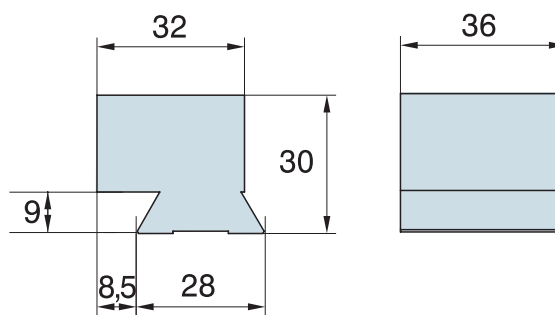
HB 4521 A23N K10F



HB 4536 A28N K10F



HB 3321 A23RL K10F



HB 3236 A28RL K10F

Available in HSS and carbide  
Prices upon request