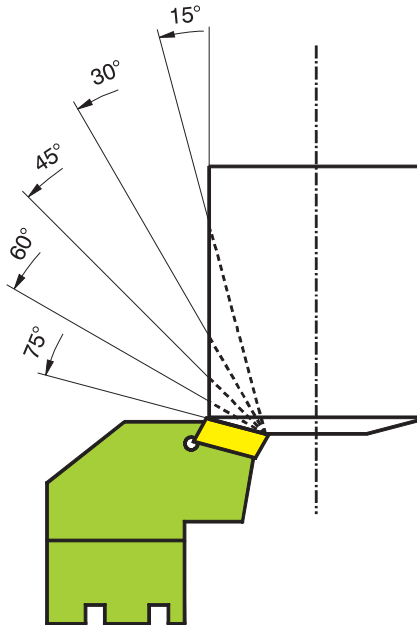
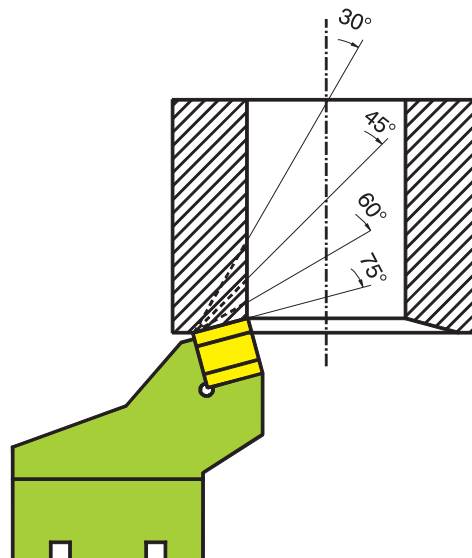


Definition of chamfer angle

External chamfering



Internal chamfer



Definition of chamfer angle always in reference to outside diameter or center line!

